

Table of Contents

0	Sheet: power Power Supply File: power.sch
1	Sheet: cpu MCU File: cpu.sch
3	Sheet: storage TF-Card File: storage.sch
4	Sheet: audio Audio Output File: audio.sch
5	Sheet: lcd STN LCD File: lcd.sch
6	Sheet: usb USB File: usb.sch
7	Sheet: keypad Keypad & GPIO File: keypad.sch

www.zephray.me
zephray@outlook.com

ZephRay

Sheet: /
File: pcb.sch

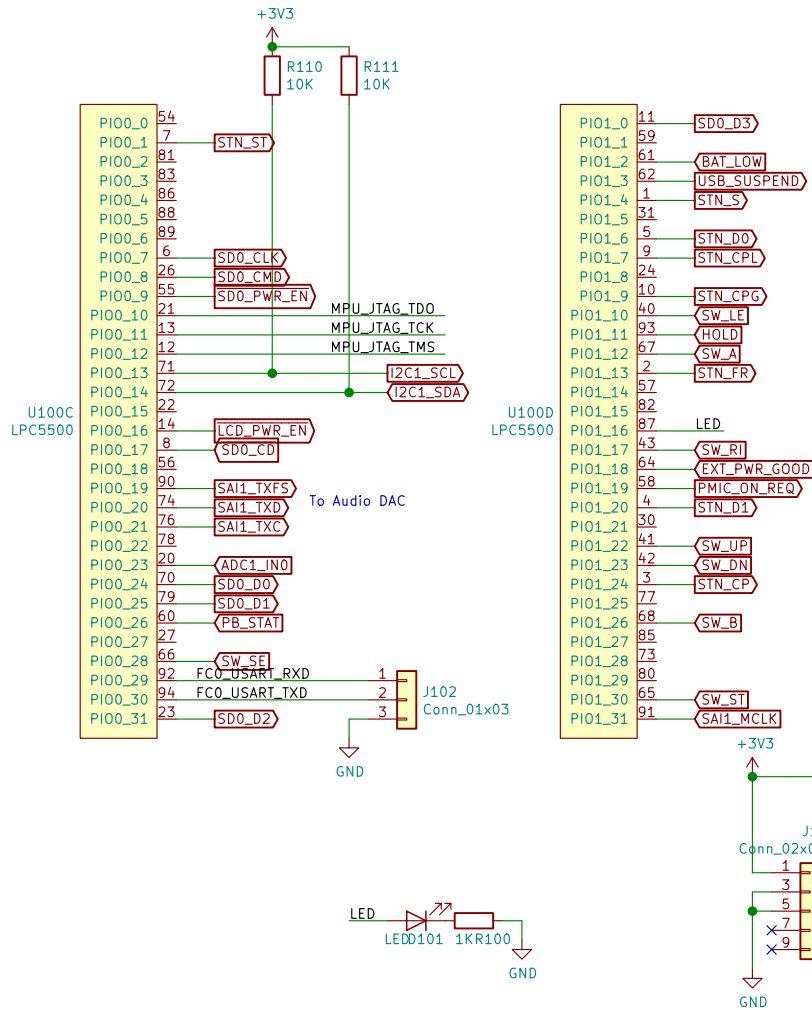
Title: RhythmPocketLite

Size: A4 Date: 2019-09-06

KiCad E.D.A. kicad (5.1.4)-1

Rev: R0.1

Id: 1/8

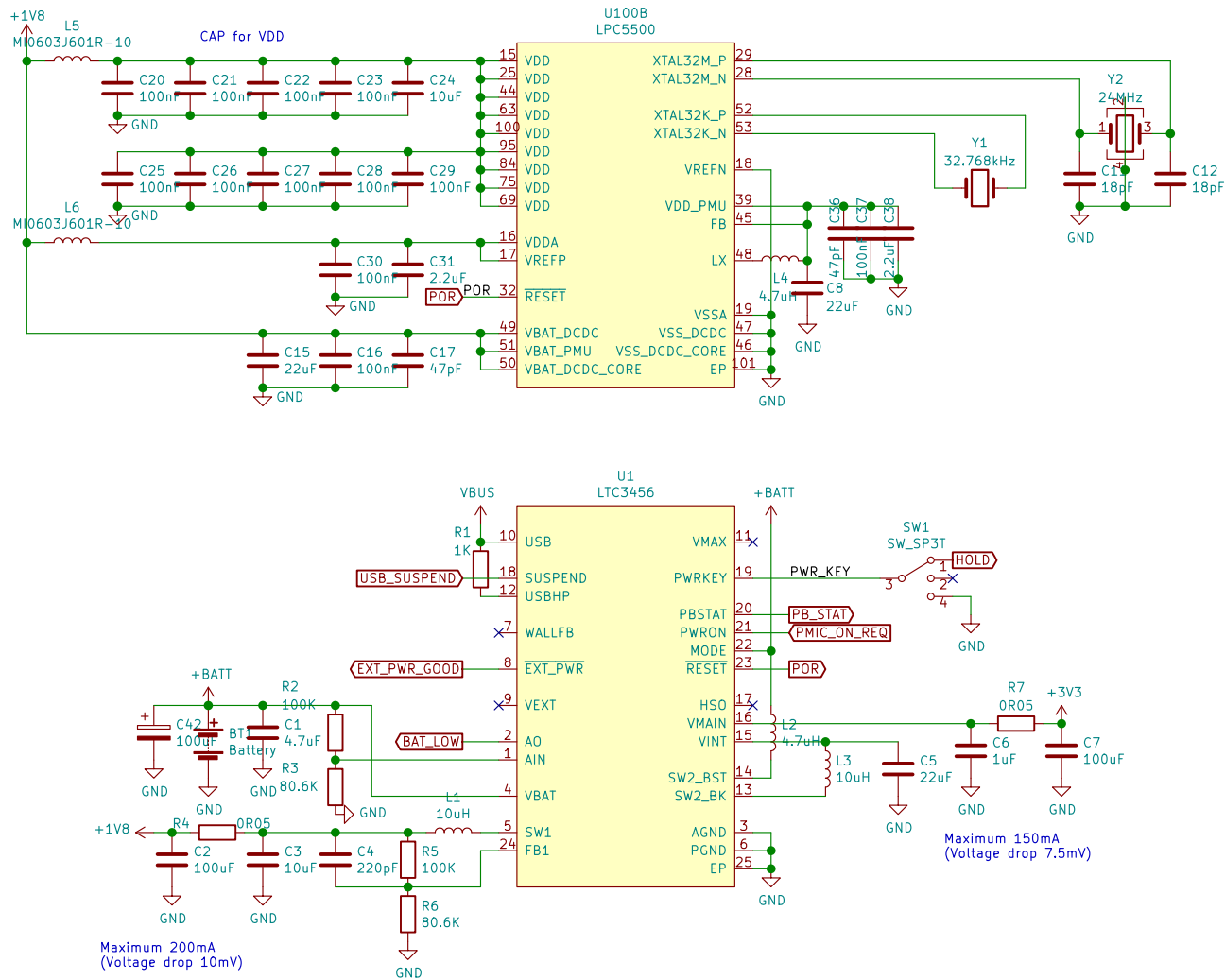


www.zephyray.me
 zephyray@outlook.com
ZephRay
 Sheet: /cpu/
 File: cpu.sch

Title: RhythmPocketLite

Size: A4 Date: 2019-09-06
 KiCad E.D.A. kicad (5.1.4)-1

Rev: R0.1
 Id: 2/8



www.zephrray.me
zephrray@outlook.com

ZephRay

Sheet: /power/
File: power.sch

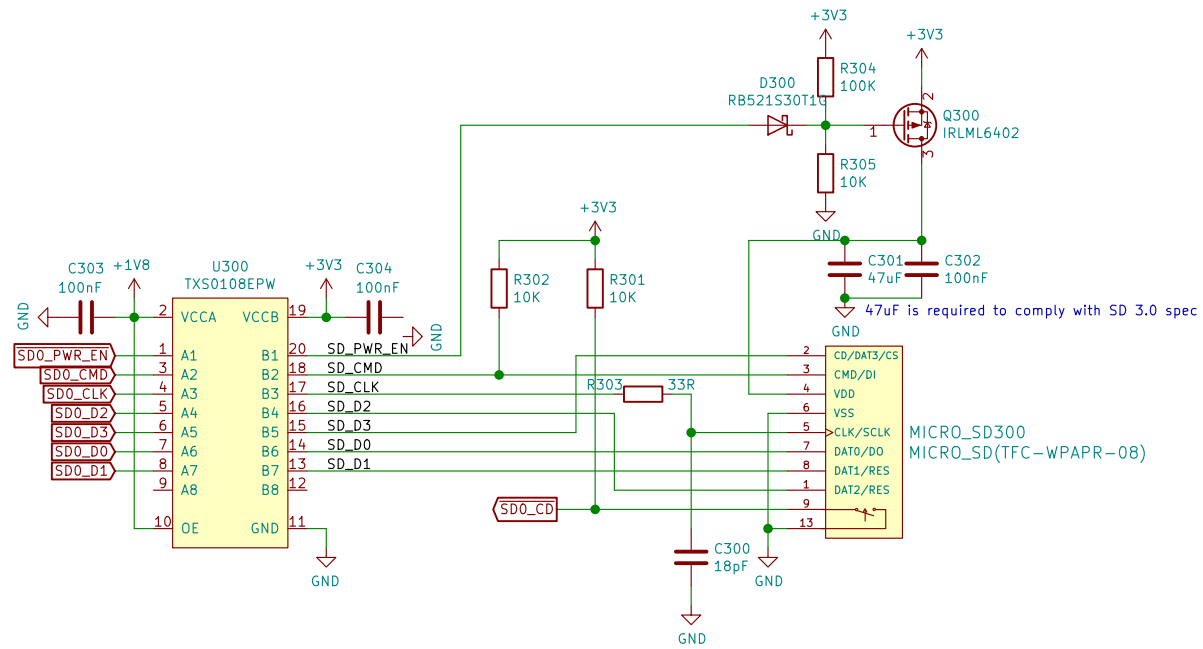
Title: RhythmPocketLite

Size: A4 Date: 2019-09-06

KiCad E.D.A. kicad (5.1.4)-1

Rev: R0.1

Id: 3/8



www.zephray.me
 zephray@outlook.com

ZephRay

Sheet: /storage/
 File: storage.sch

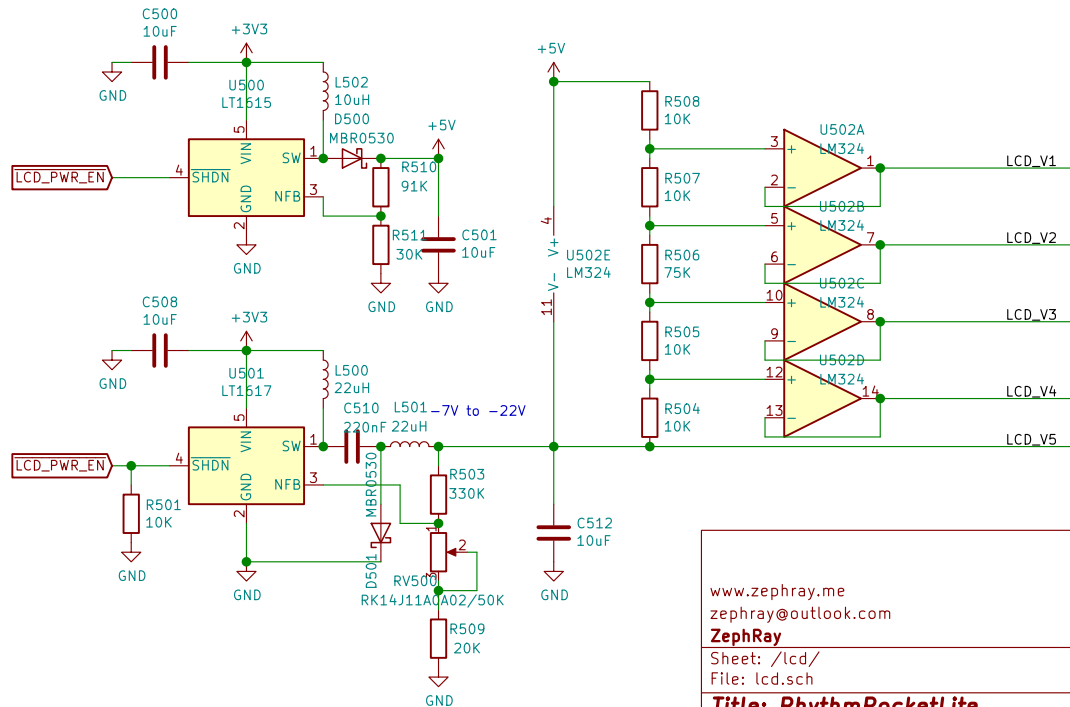
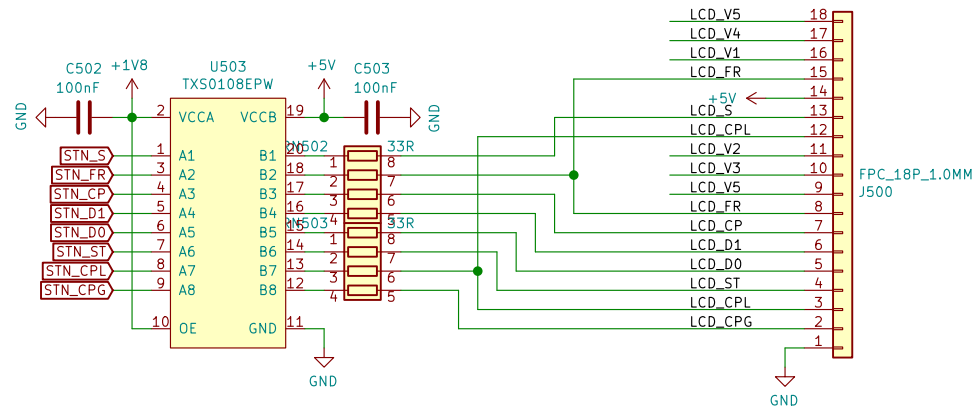
Title: RhythmPocketLite

Size: A4 Date: 2019-09-06

KiCad E.D.A. kicad (5.1.4)-1

Rev: R0.1

Id: 4/8



www.zephyray.me
zephyray@outlook.com

ZephRay

Sheet: /lcd/
File: lcd.sch

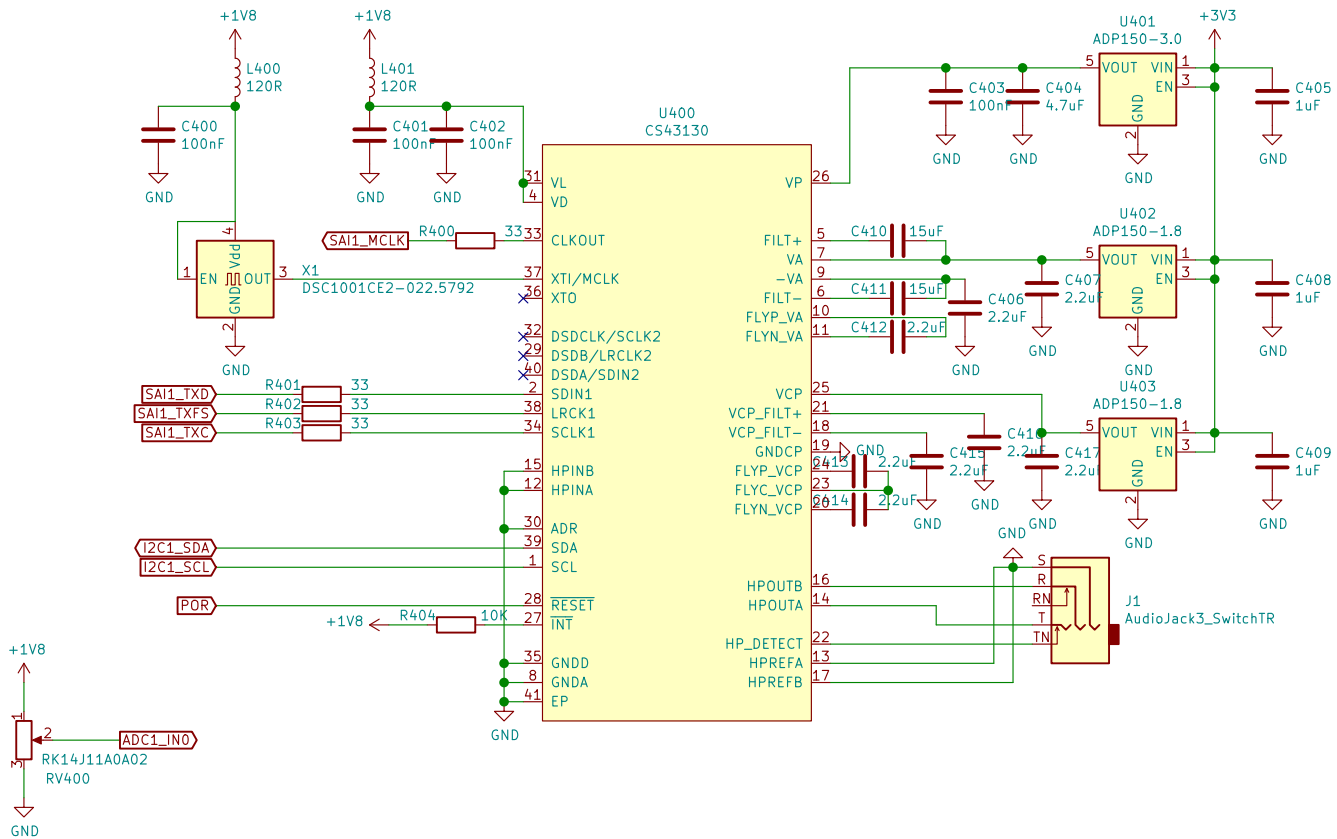
Title: RhythmPocketLite

Size: A4 Date: 2019-09-06

KiCad E.D.A. kicad (5.1.4)-1

Rev: R0.1

Id: 5/8



www.zephray.me
zephray@outlook.com

ZephRay

Sheet: /audio/
File: audio.sch

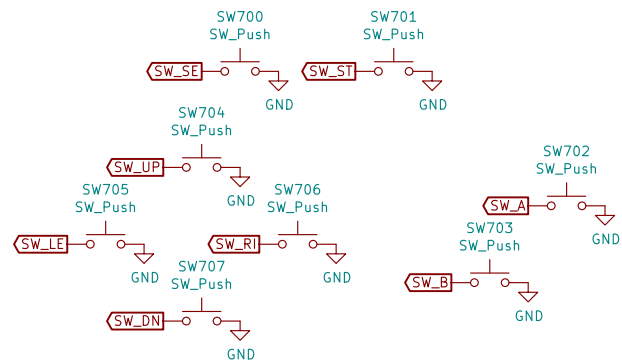
Title: RhythmPocketLite

Size: A4 Date: 2019-09-06

KiCad E.D.A. kicad (5.1.4)-1

Rev: R0.1

Id: 6/8



www.zephyray.me
zephyray@outlook.com

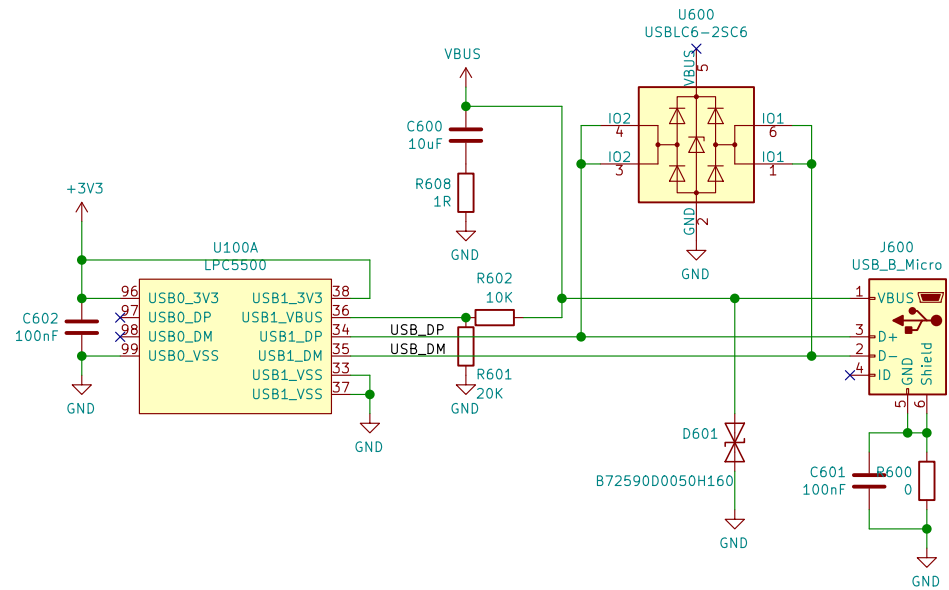
ZephRay

Sheet: /keypad/
File: keypad.sch

Title: RhythmPocketLite

Size: A4 Date: 2019-09-06
KiCad E.D.A. kicad (5.1.4)-1

Rev: R0.1
Id: 7/8



www.zephray.me
 zephray@outlook.com

ZephRay

Sheet: /usb/
 File: usb.sch

Title: RhythmPocketLite

Size: A4 Date: 2019-09-06
 KiCad E.D.A. kicad (5.1.4)-1

Rev: R0.1
 Id: 8/8