

Table of Contents

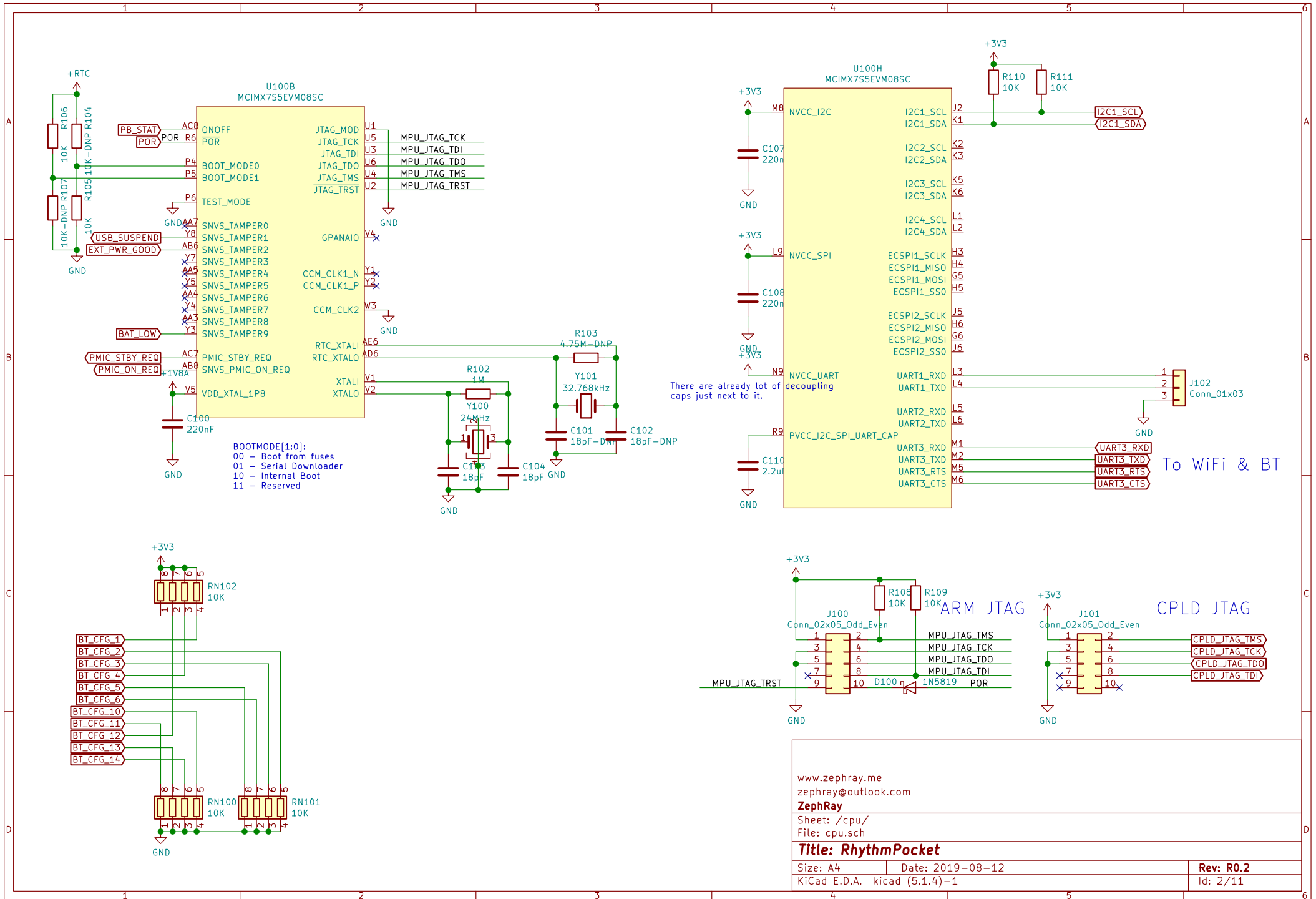
0	Sheet: power Power Supply File: power.sch
1	Sheet: cpu Clock & Debugging File: cpu.sch
2	Sheet: ddr LPDDR2 Memory File: ddr.sch
3	Sheet: storage SPI Flash & TF-Card File: storage.sch
4	Sheet: audio Audio Output File: audio.sch
5	Sheet: lcd STN LCD File: lcd.sch
6	Sheet: usb USB File: usb.sch
7	Sheet: keypad Keypad & GPIO File: keypad.sch
8	Sheet: wifibt WiFi & BT File: wifibt.sch
9	Sheet: unused Unused IO File: unused.sch

www.zephray.me
zephray@outlook.com
ZephRay
Sheet: /
File: pcb.sch

Title: RhythmPocket

Size: A4 Date: 2019-08-12
KiCad E.D.A. kicad (5.1.4)-1

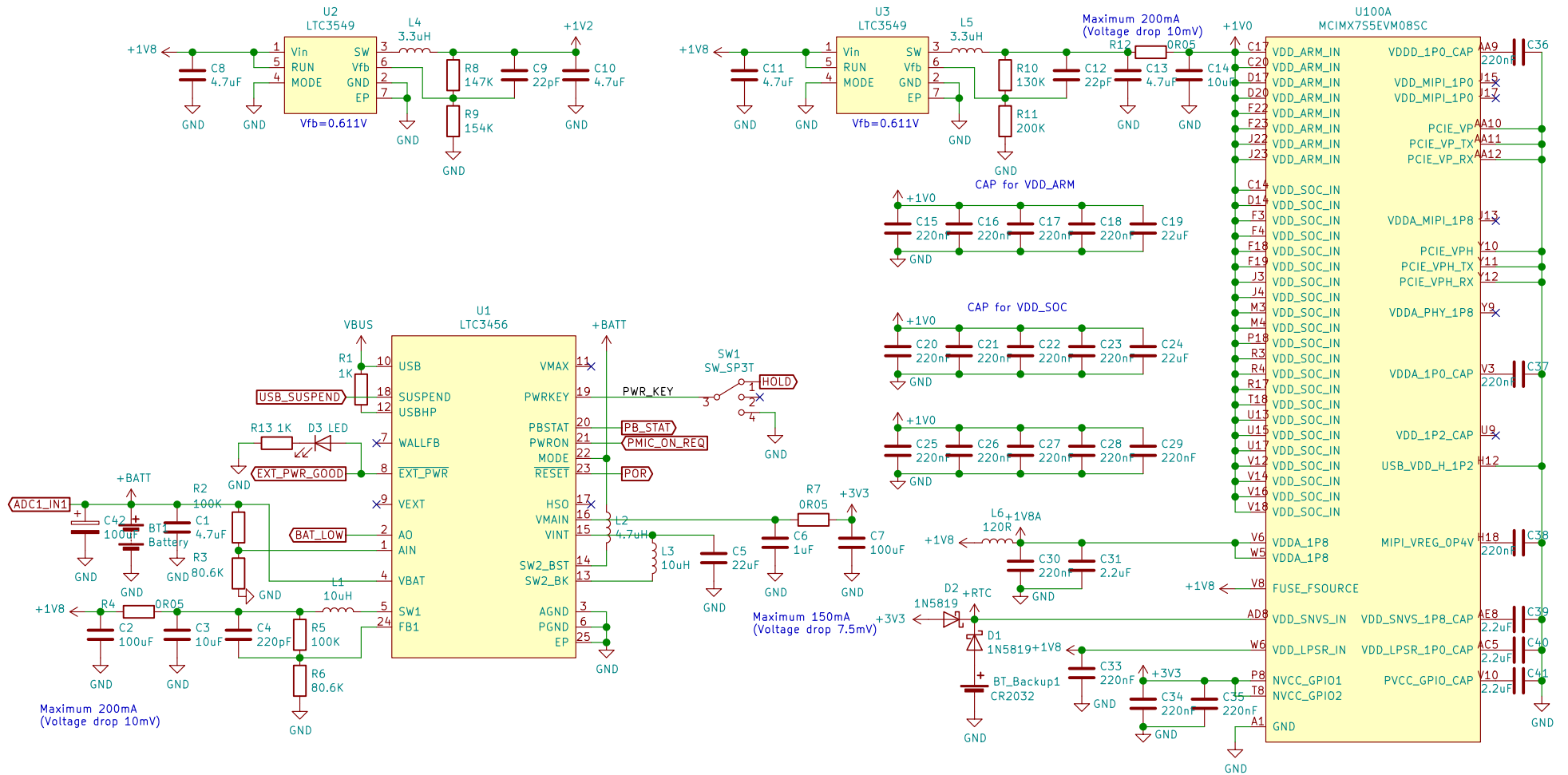
Rev: R0.2
Id: 1/11



www.zephyray.me
zephyray@outlook.com
ZephRay
Sheet: /cpu/
File: cpu.sch

Title: RhythmPocket

Size: A4	Date: 2019-08-12	Rev: R0.2
KiCad E.D.A. kicad (5.1.4)-1		Id: 2/11



www.zephyr.me
zephyr@outlook.com

Zephyr

Sheet: /power/
File: power.sch

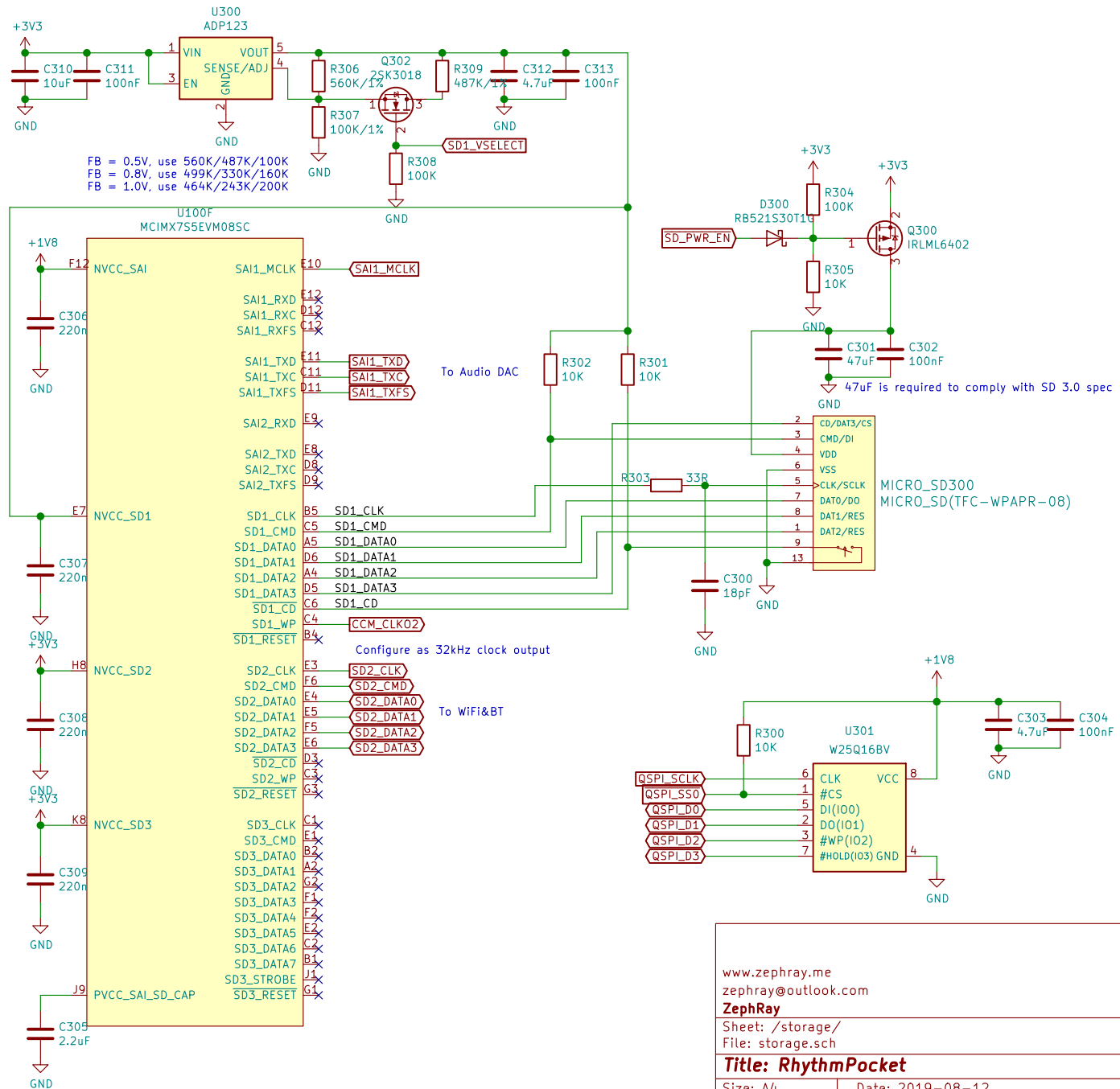
Title: RhythmPocket

Size: A4 Date: 2019-08-12

KiCad E.D.A. kicad (5.1.4)-1

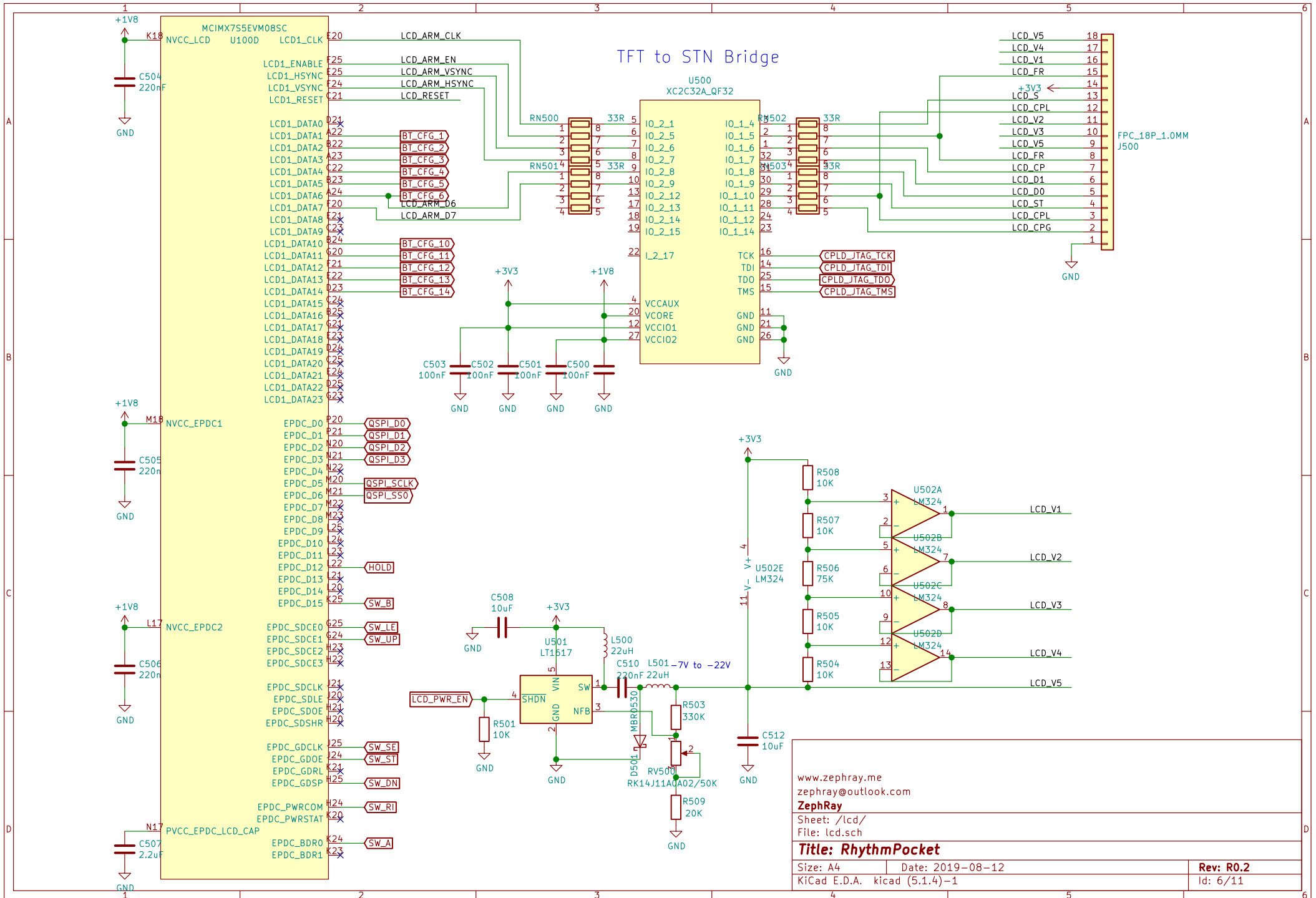
Rev: R0.2

Id: 3/11



www.zephyray.me
zephyray@outlook.com
ZephRay
 Sheet: /storage/
 File: storage.sch

Title: RhythmPocket	
Size: A4	Date: 2019-08-12
KiCad E.D.A. kicad (5.1.4)-1	Rev: R0.2
	Id: 5/11



www.zephyray.me
zephyray@outlook.com

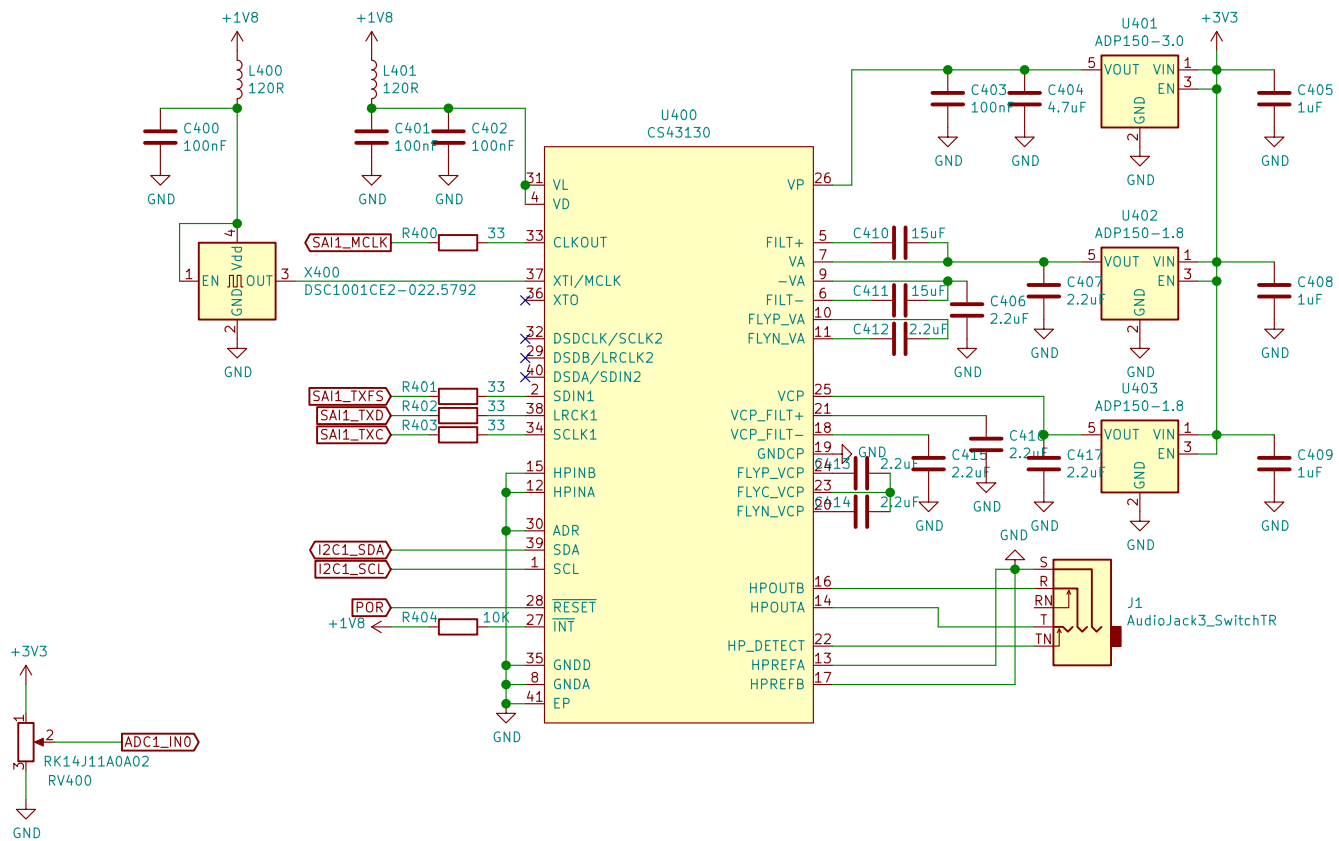
ZephRay

Sheet: /lcd/
File: lcd.sch

Title: RhythmPocket

Size: A4 Date: 2019-08-12
KiCad E.D.A. kicad (5.1.4)-1

Rev: R0.2
Id: 6/11

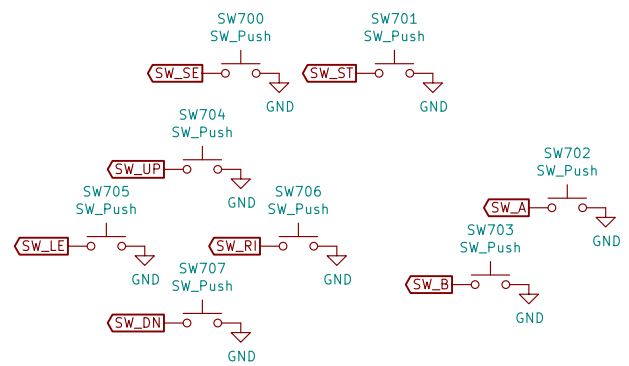
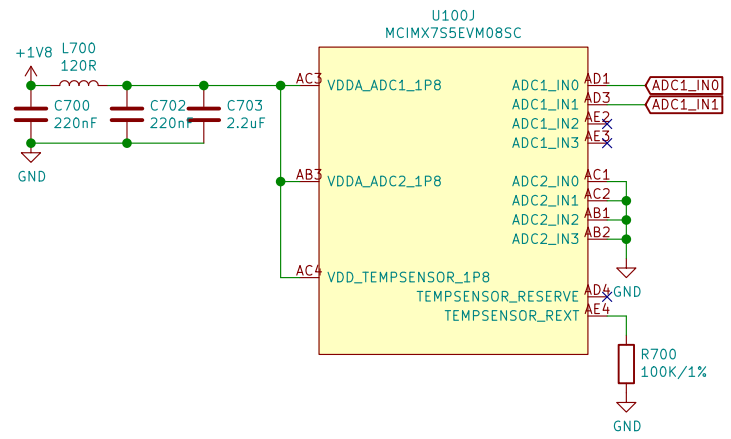
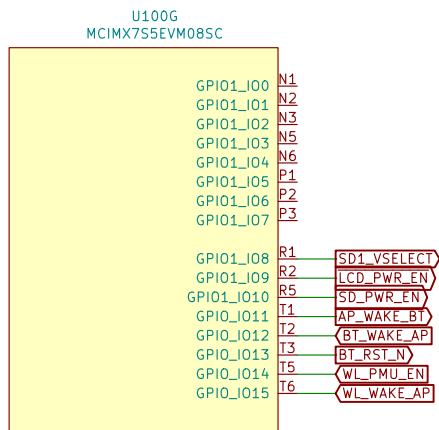


www.zephray.me
zephray@outlook.com
ZephRay
Sheet: /audio/
File: audio.sch

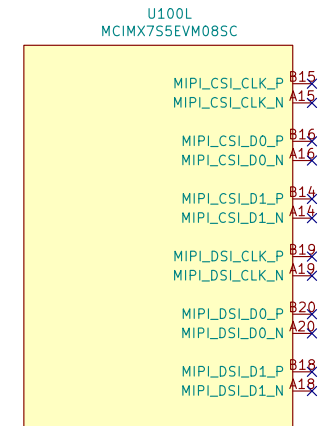
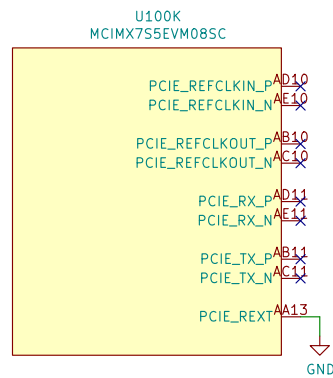
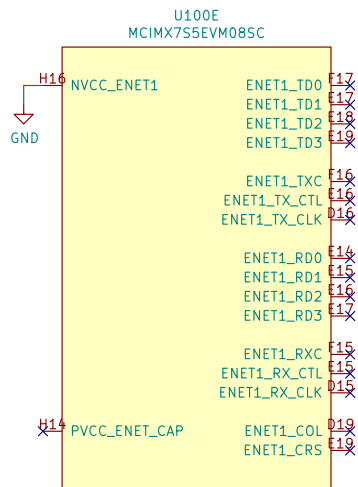
Title: RhythmPocket

Size: A4 Date: 2019-08-12
KiCad E.D.A. kicad (5.1.4)-1

Rev: R0.2
Id: 7/11



www.zephray.me			
zephray@outlook.com			
ZephRay			
Sheet: /keypad/			
File: keypad.sch			
Title: RhythmPocket			
Size: A4	Date: 2019-08-12	Rev: R0.2	
KiCad E.D.A. kicad (5.1.4)-1		Id: 8/11	

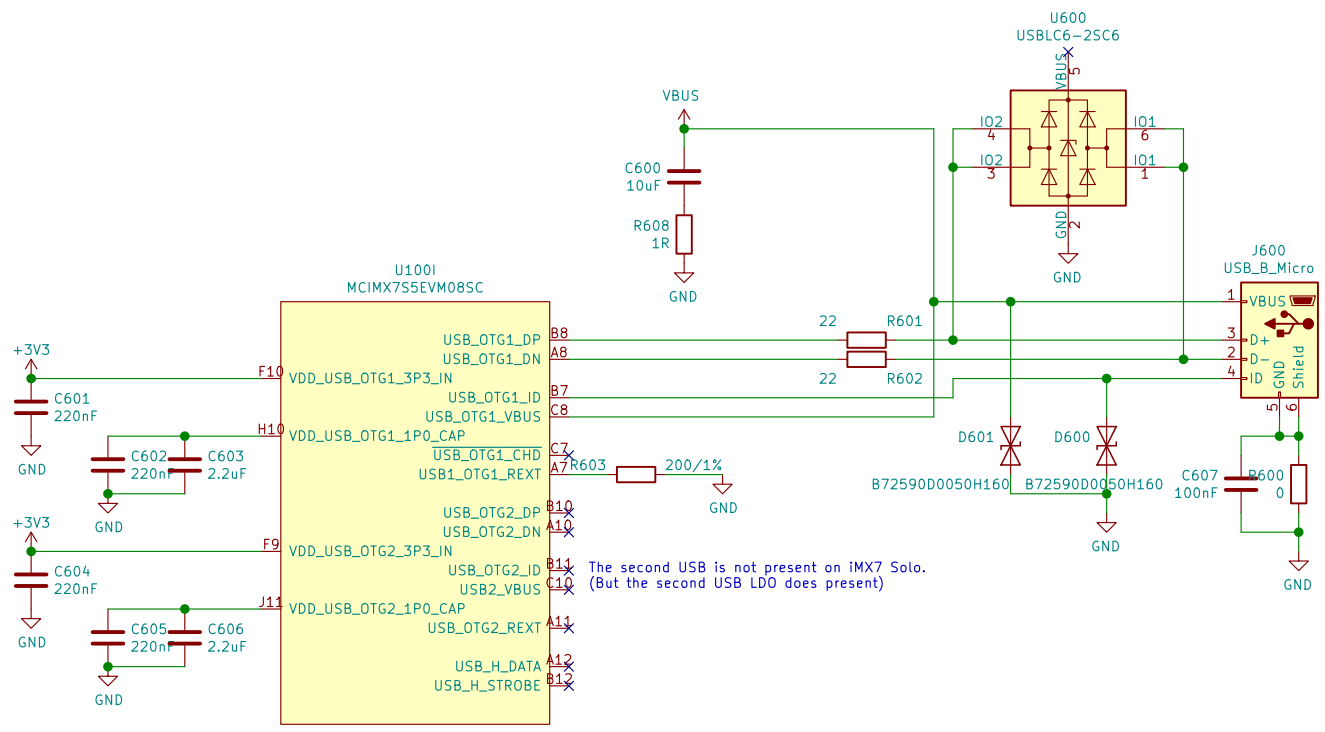


www.zephyray.me
zephyray@outlook.com
ZephRay
Sheet: /unused/
File: unused.sch

Title: RhythmPocket

Size: A4 Date: 2019-08-12
KiCad E.D.A. kicad (5.1.4)-1

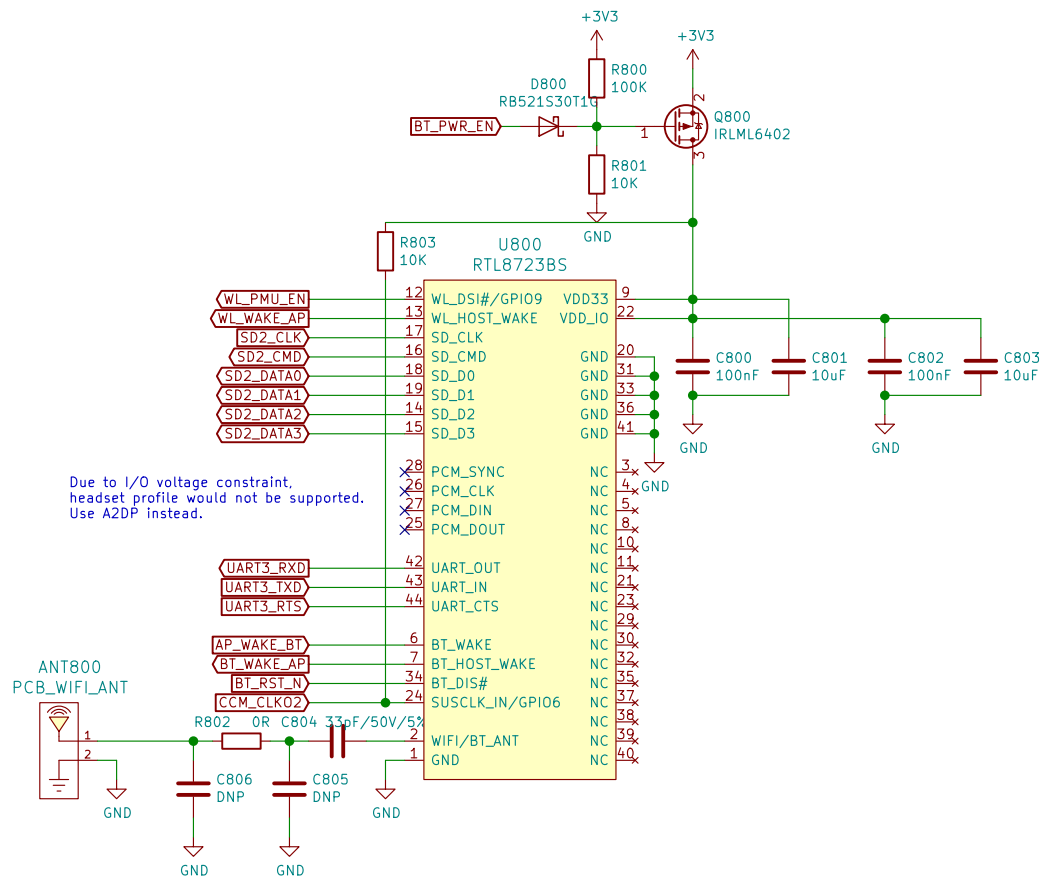
Rev: R0.2
Id: 9/11



The second USB is not present on IMX7 Solo.
(But the second USB LDO does present)

The Type A port is not ESD protected, and only powered if Type B Micro is connected (shared power).
This port is meant for development purpose only.

www.zephyray.me	
zephyray@outlook.com	
ZephRay	
Sheet: /usb/	
File: usb.sch	
Title: RhythmPocket	
Size: A4	Date: 2019-08-12
KiCad E.D.A. kicad (5.1.4)-1	Rev: R0.2
	Id: 10/11



www.zephyray.me	
zephyray@outlook.com	
ZephRay	
Sheet: /wifibt/	
File: wifibt.sch	
Title: RhythmPocket	
Size: A4	Date: 2019-08-12
KiCad E.D.A. kicad (5.1.4)-1	Rev: R0.2
	Id: 11/11